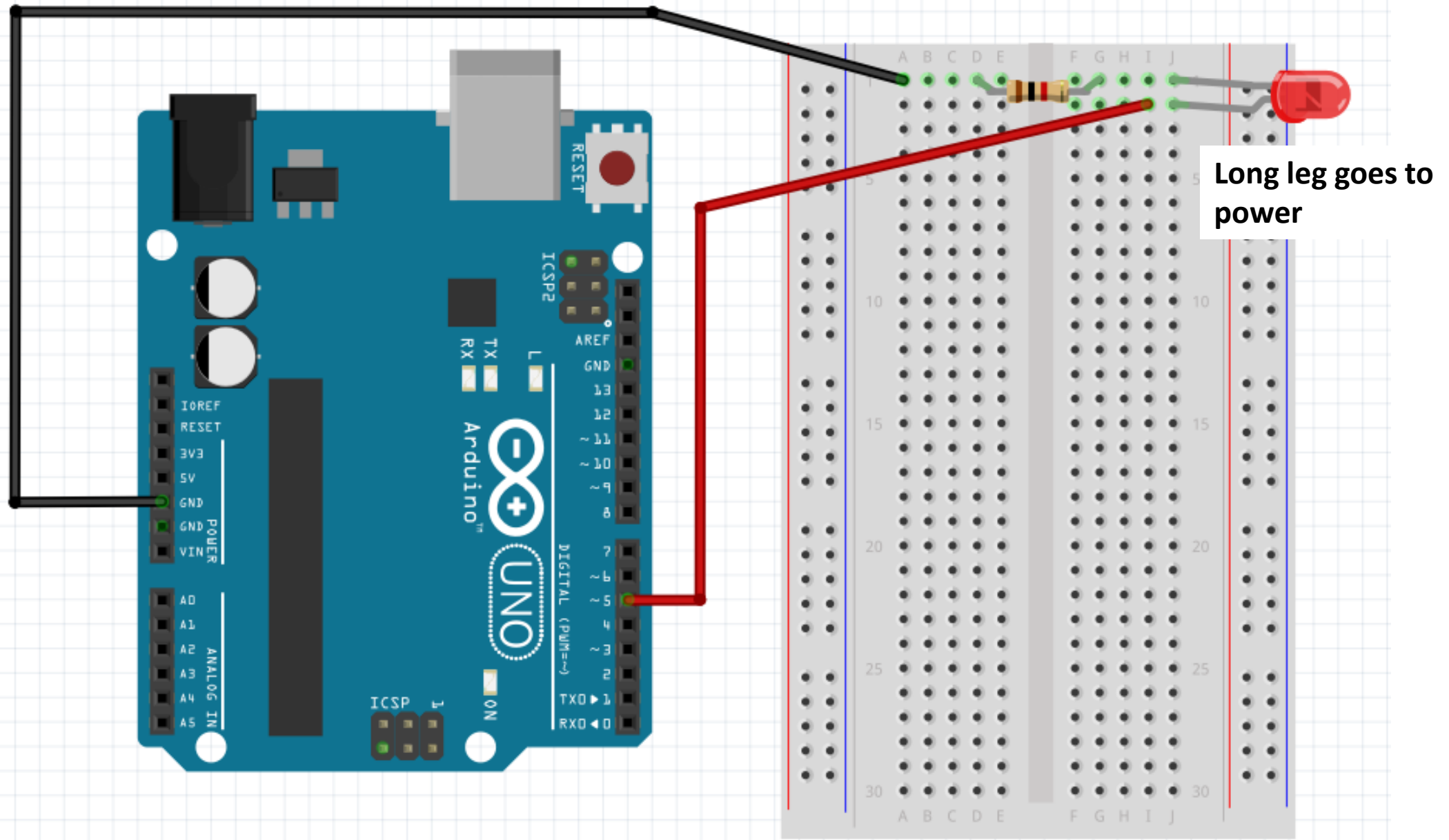
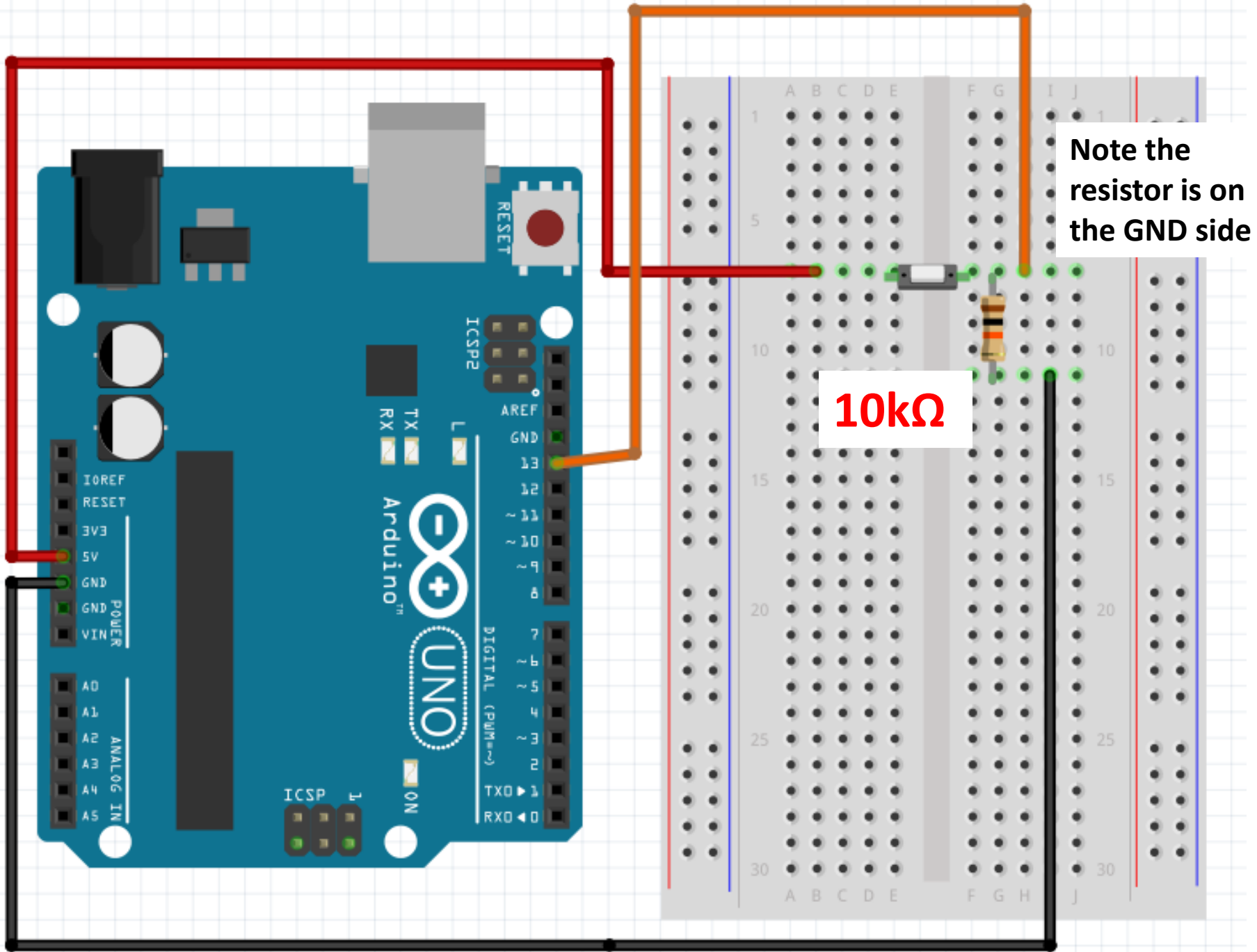


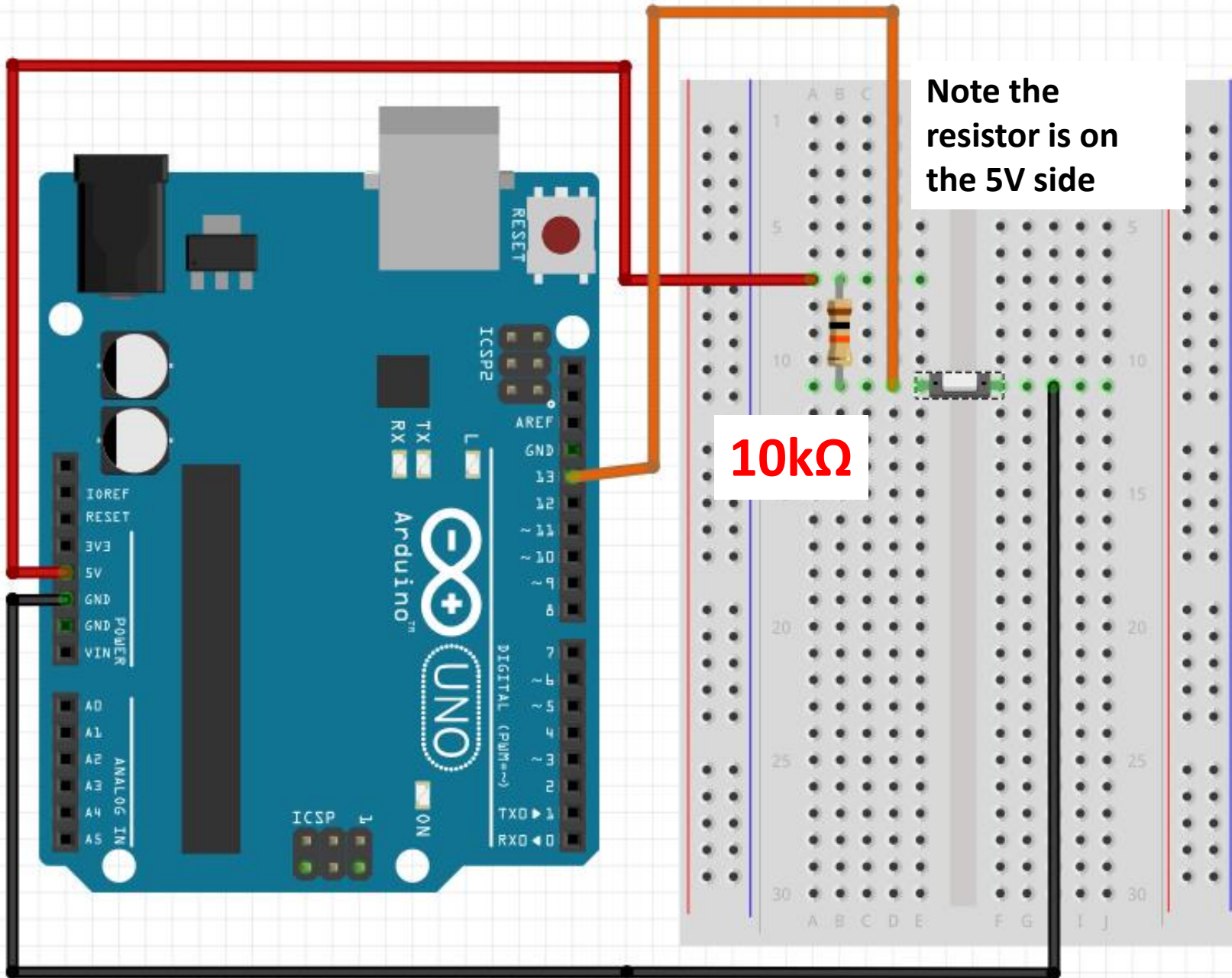
# 1



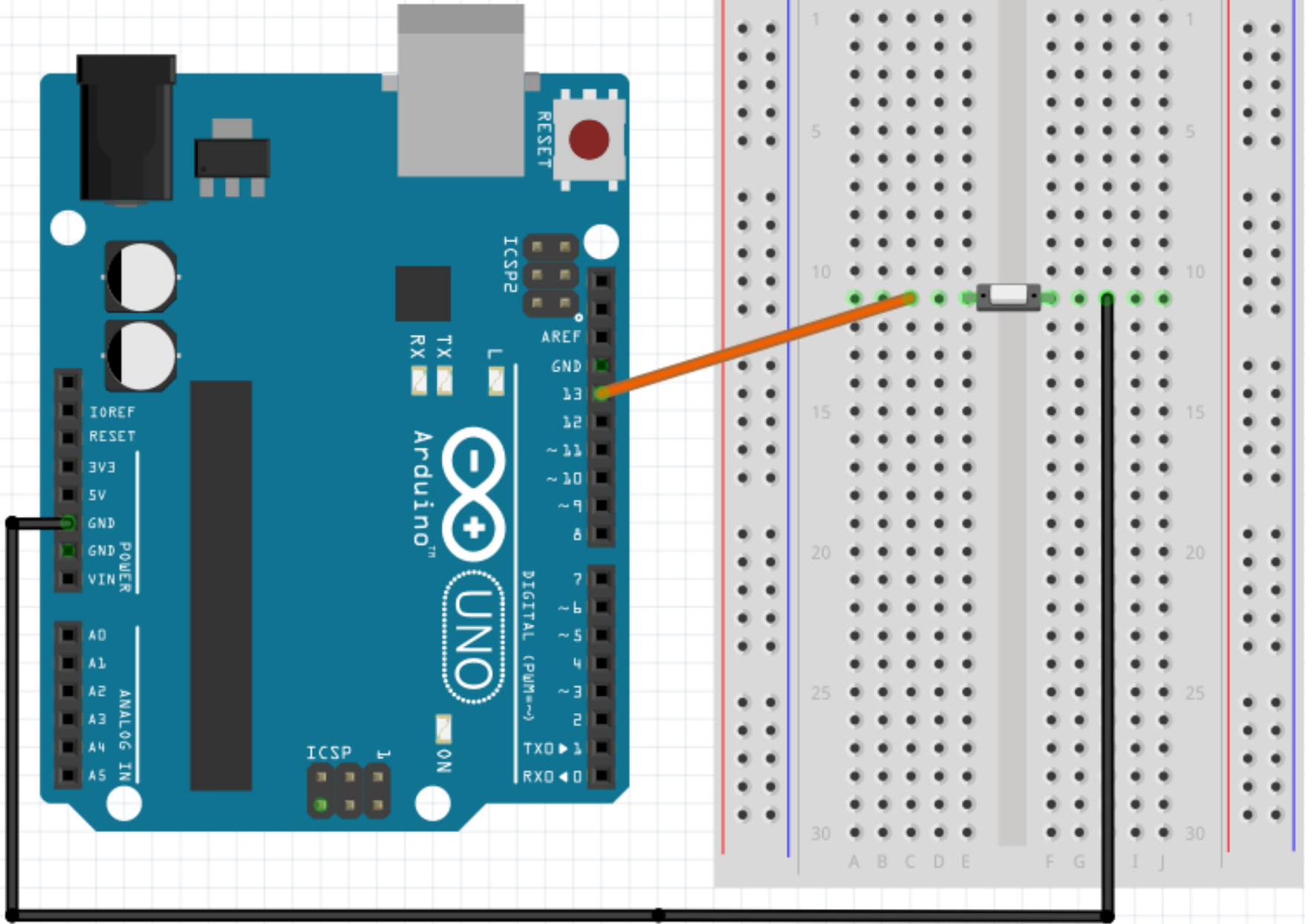
# 2



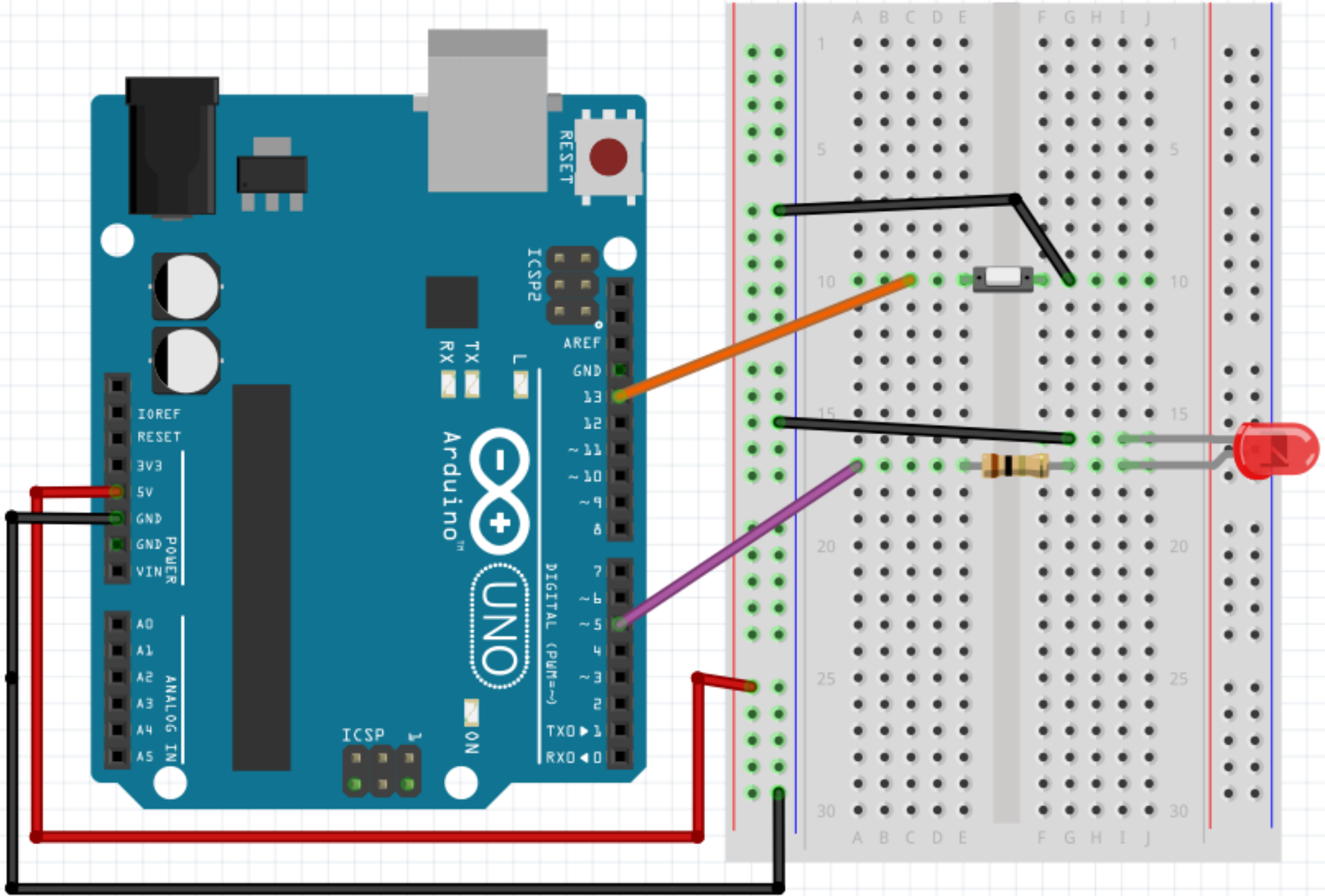
3



# 4



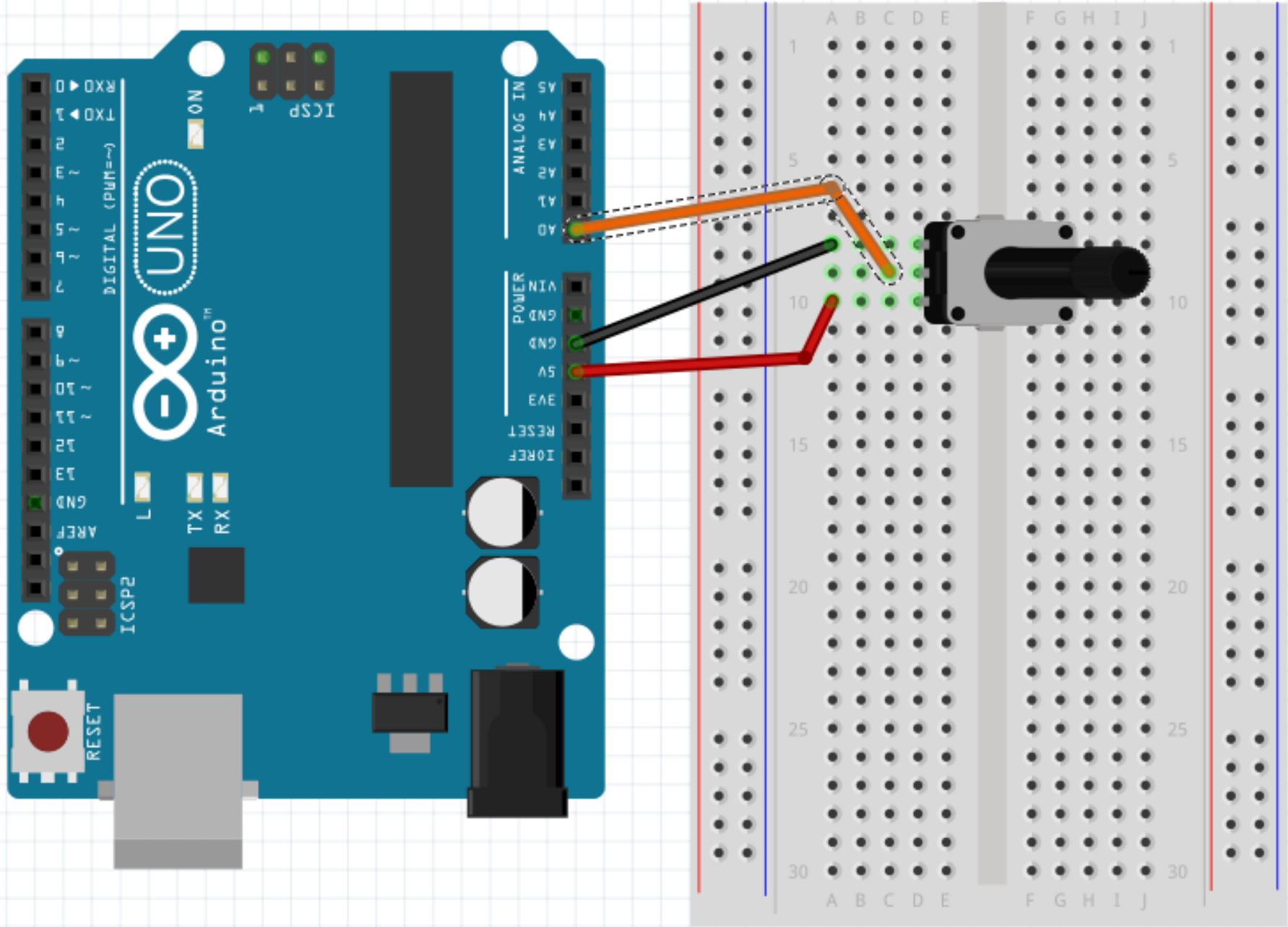
5





6

Note the  
Arduino  
is flipped



7

